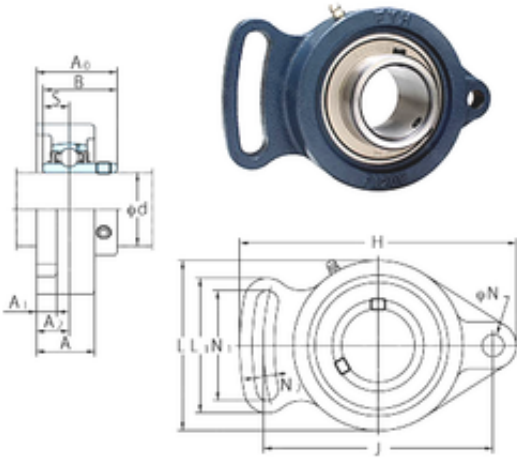




RES Bearing import&export co.,ltd

FYH UCFA202-10 bearing units

Bearing No. UCFA202-10



UCFA202-10 Bearing 2D drawings and 3D CAD models

Bore Diameter	15,875 mm
d	15,875 mm
A0	32,1 mm
A	24 mm
A1	11 mm
B	31 mm
H	98 mm
J	78 mm
L	59 mm
L1	50 mm
N	10 mm
N1	40 mm
S	12,7 mm
Bolt (G)	M8
A2	13,8 mm
N2	10 mm
Weight	0,45 Kg
Basic dynamic load rating (C)	12,8 kN
Basic static load rating (C0)	6,65 kN