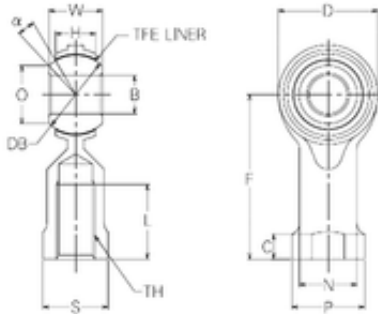




**NMB RBT8 plain bearings**



Bearing No. RBT8

Bore Diameter	8 mm
d	8 mm
P	16 mm
Db	17,46 mm
O	12,7 mm
B	8 mm
C	5 mm
D	22 mm
F	36 mm
H	9 mm
L	16 mm
N	12,5 mm
S	14 mm
W	12 mm
Angle	12 °
Thread (TH)	M8 × 1,25
Weight	0,043 Kg
Basic static load rating (C0)	11,76 kN

RBT8 Bearing 2D drawings and 3D CAD models