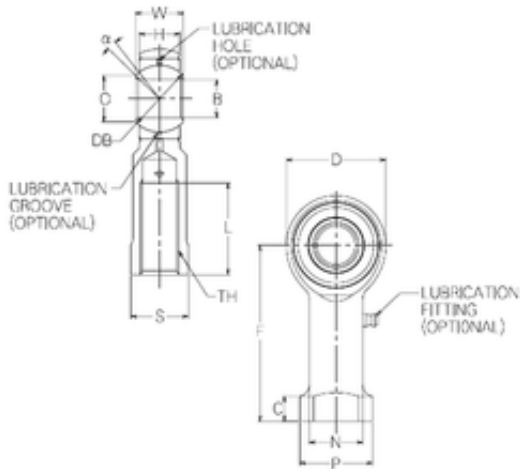




NMB HR15 plain bearings

Bearing No. HR15



HR15 Bearing 2D drawings and 3D CAD models

Bore Diameter	15 mm
d	15 mm
P	25 mm
Db	26,19 mm
O	19 mm
B	15 mm
C	8,5 mm
D	38 mm
F	62 mm
H	14,25 mm
L	34 mm
N	20 mm
S	21 mm
W	18 mm
Angle	11 °
Thread (TH)	M14 × 2,0