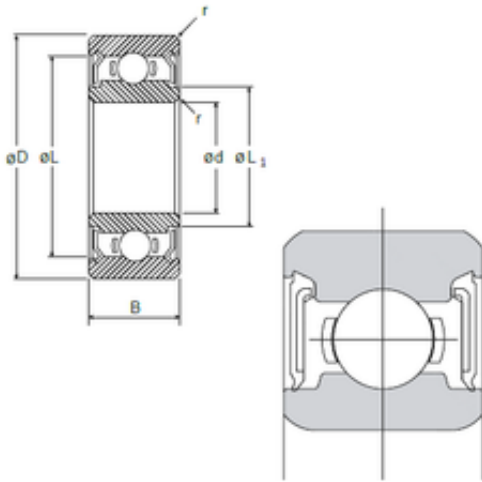




RES Bearing import&export co.,ltd



NMB L-2112DD deep groove ball bearings

Bearing No. L-2112DD

Size	12x21x5 mm
Bore Diameter	12 mm
Outer Diameter	21 mm
Width	5 mm
d	12 mm
D	21 mm
B	5 mm
C	5 mm
r min.	0,3 mm
L	19,22 mm
L1	14,4 mm
Basic dynamic load rating (C)	1,917 kN

L-2112DD Bearing 2D drawings and 3D CAD models