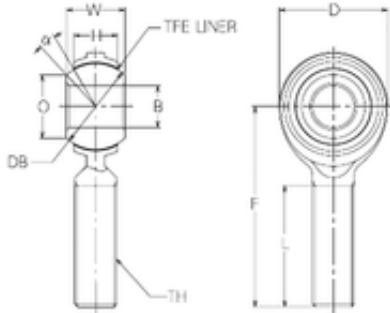




**NMB RBT8E plain bearings**



Bearing No. RBT8E

Bore Diameter	8 mm
Width	8 mm
d	8 mm
Db	17,46 mm
O	12,7 mm
B	8 mm
D	22 mm
F	42 mm
H	9 mm
L	25 mm
W	12 mm
Angle	12 °
Thread (TH)	M8 × 1,25
Weight	0,032 Kg
Basic static load rating (C0)	10,78 kN

RBT8E Bearing 2D drawings and 3D CAD models