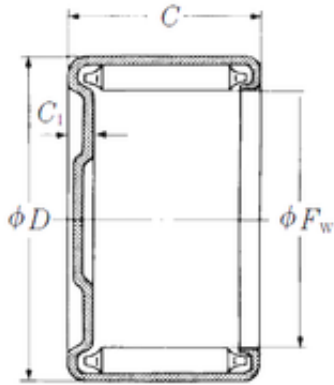




RES Bearing import&export co.,ltd

NSK M-1881 needle roller bearings



Bearing No. M-1881

Size	28.575x34.925x12.7 mm
Bore Diameter	28,575 mm
Outer Diameter	34,925 mm
Width	12,7 mm
Fw	28,575 mm
D	34,925 mm
C	12,7 mm
C2	2,3 mm
Weight	0,028 Kg
Basic dynamic load rating (C)	16,8 kN

M-1881 Bearing 2D drawings and 3D CAD models