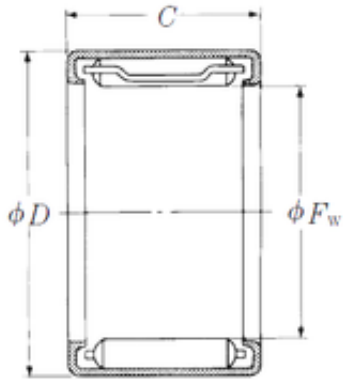




RES Bearing import&export co.,ltd

NSK FJL-2525L needle roller bearings



Bearing No. FJL-2525L

Size	25x33x25 mm
Bore Diameter	25 mm
Outer Diameter	33 mm
Width	25 mm
Fw	25 mm
D	33 mm
C	25 mm
Weight	0,043 Kg
Basic dynamic load rating (C)	28 kN

FJL-2525L Bearing 2D drawings and 3D CAD models