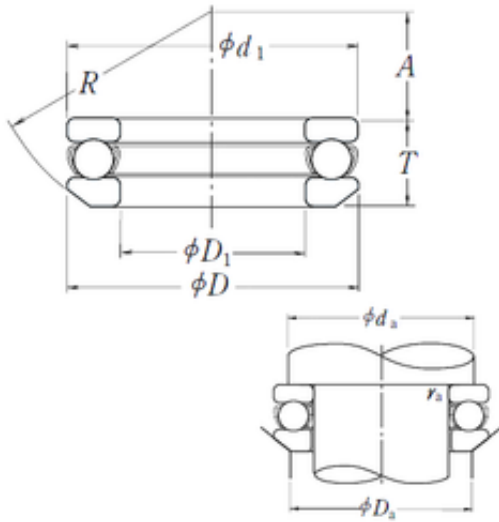




## RES Bearing import&export co.,ltd



### NSK 53204 thrust ball bearings

Bearing No. 53204

Size	20x40x14.7 mm
Bore Diameter	20 mm
Outer Diameter	40 mm
Width	14,7 mm
d	20 mm
D	40 mm
T	14,7 mm
d1	40 mm
r min.	0,6 mm
A	18 mm
D1	22 mm
R	36 mm
da min.	32 mm
Da max.	28 mm
ra max.	0,6 mm
Weight	0,08 Kg
Basic dynamic load rating (C)	22,5 kN
Basic static load rating (C0)	37,5 kN
(Grease) Lubrication Speed	4300 r/min
Category	Thrust Ball Bearing
Inventory	0.0
Manufacturer Name	NSK
Minimum Buy Quantity	N/A
Weight / Kilogram	0.1
EAN	0029176029516
Product Group	B00308

53204 Bearing 2D drawings and 3D CAD models



## RES Bearing import&export co.,ltd

Rolling Element	Ball Bearing
Thrust Bearing	Yes
Single or Double Direction	Single Direction
Banded	No
Cage Material	Steel
Precision Class	Non-Precision
Component Description	Roller Assembly Plus Raceways
Other Features	Single Row   With Aligning Seat
Long Description	20MM Bore 1; 22MM Bore 2; 40MM Outside Diameter; 15MM Height; Ball Bearing; Single Direction; Not Banded; Steel Cage; Non-Precision
Inch - Metric	Metric
Category	Thrust Ball Bearings
UNSPSC	31171552
Harmonized Tariff Code	8482.10.50.08
Noun	Bearing
Keyword String	Ball Thrust
Manufacturer URL	<a href="http://www.nskamericas.com">http://www.nskamericas.com</a>
Manufacturer Item Number	53204
Weight / LBS	0.17637
Bore 1	0.787 Inch   20 Millimeter
Overall Height with Aligning Washer	0 Inch   0 Millimeter
Outside Diameter	1.575 Inch   40 Millimeter
Bore 2	0.866 Inch   22 Millimeter
Height	0.591 Inch   15 Millimeter
bore diameter:	20 mm
static load capacity:	8500 lbf
outside diameter:	40 mm



## RES Bearing import&export co.,ltd

dynamic load capacity:	5050 lbf
overall width:	17 mm
operating temperature range:	Maximum of +120 ° C
thrust bearing type:	Single-Direction
maximum rpm:	6300 rpm
outside diameter design:	Straight
cage material:	Steel Cage
separable or banded:	Separable
fillet radius:	.6 mm
race type:	Flat
series:	52300
precision rating:	ABEC1, P0
SRI	3.9
hidYobi	53204
LangID	1
D_	40
SREX	0.04
C	22.5
B_	14.7
hidTable	ecat_NSSDTB
Oil rpm	6300
SRE	3.9
mass	0.08
GRS rpm	4300
ra	0.6
SRIX	0.04
D_a	28
SRIN	0
C0	37.5
SREN	0
D_1	22
Prod_Type3	TB_SD_WAS



## RES Bearing import&export co.,ltd

da	32
DA_	7.144
Z_	12
yobi	53204
A_	18
T3	14.7
SDM_	30
r	0.6
KBRG	5121
R_	36